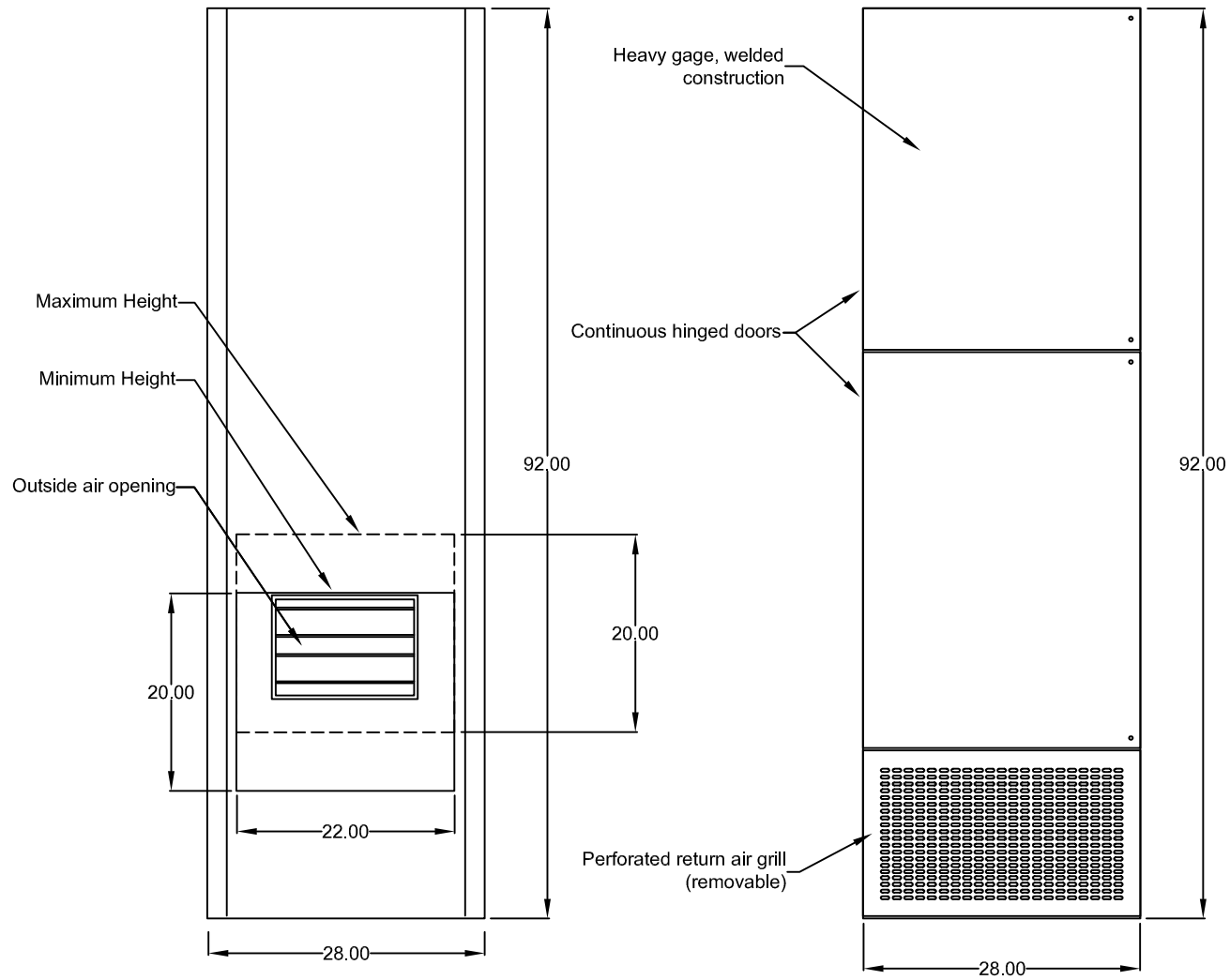


Notes :



Standard Configuration Max Air UV-1200 Vertical Unit Ventilator

Drawn by :

Date :

Unit tag :

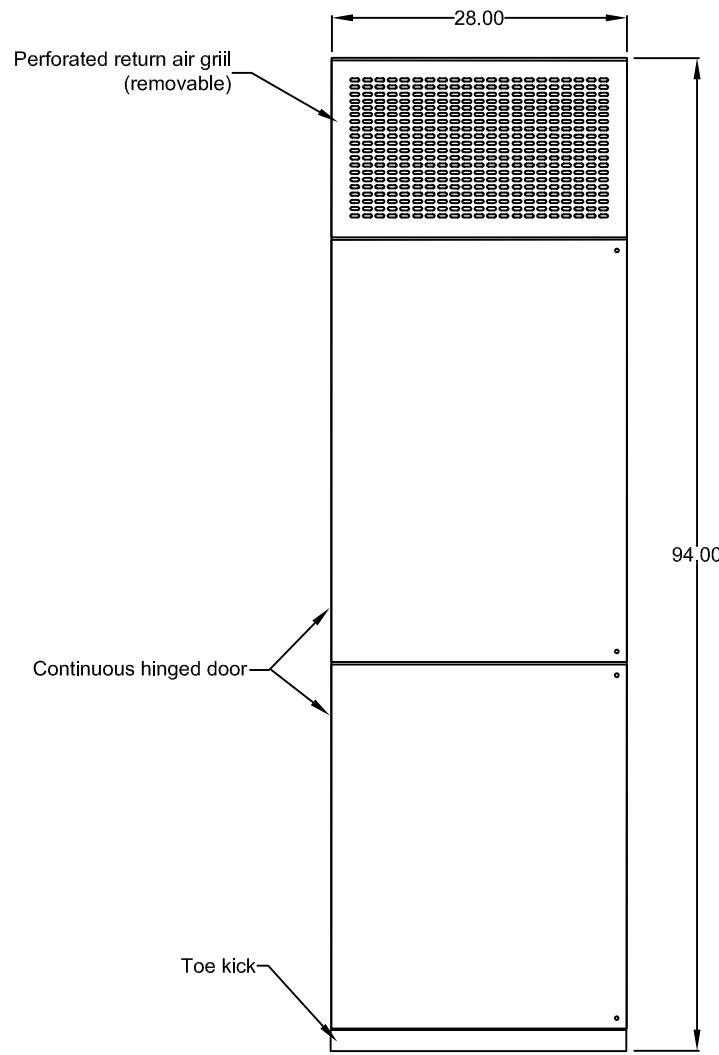
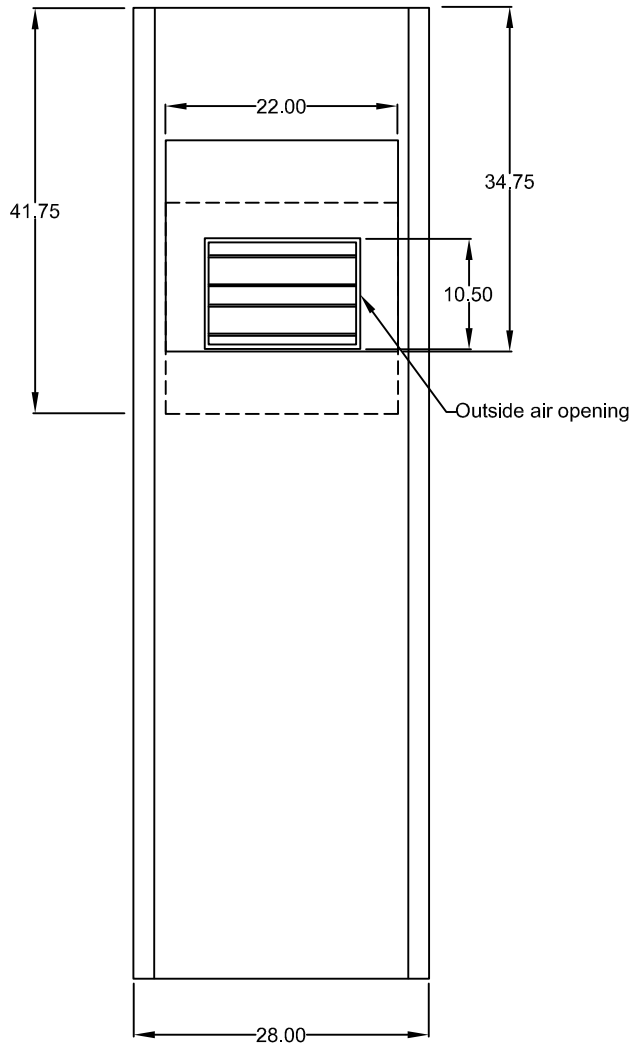
Checked by :

Drawing number :

Revised :



www.maxairhvac.com



Notes :

Blank area for notes.

Standard Configuration Max Air DV-1200 Downflow Unit Ventilator

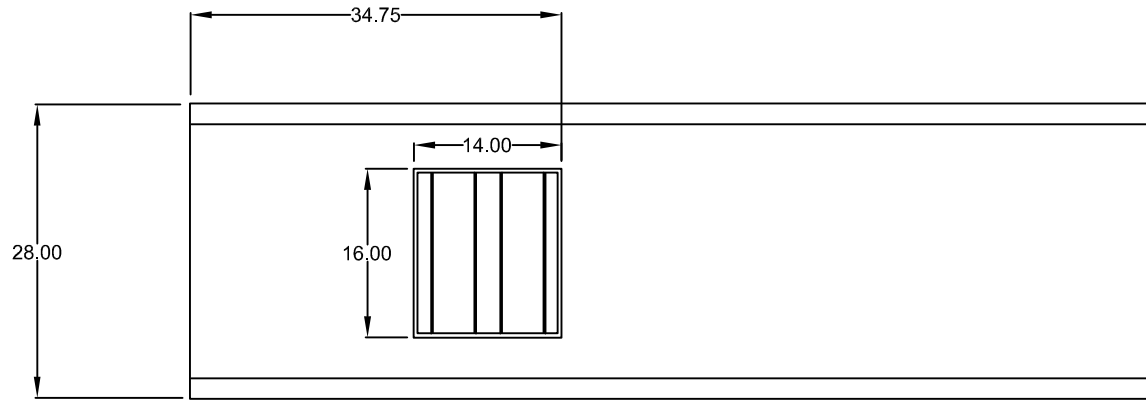
Drawn by :	Date :	Unit tag :
Checked by :	Drawing number :	Revised :



Notes :

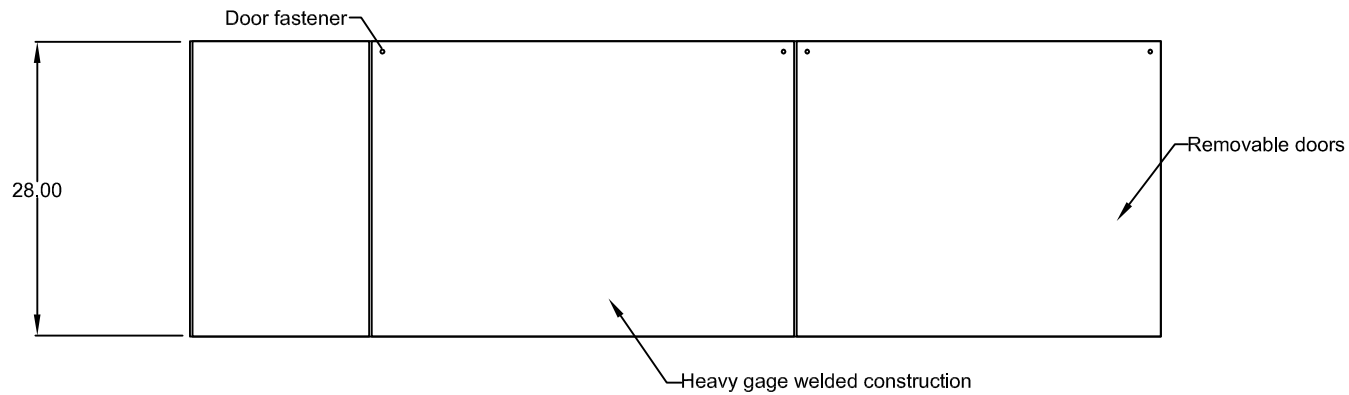
- * Optional positions for both return and outside air
- ** Access panel can be either punch pattern grill or ducted opening.

Rear elevation



Plan view

Elevation view



Standard Configuration Max Air HV-1200 Horizontal Unit Ventilator

Drawn by :

Date :

Unit tag :

Checked by :

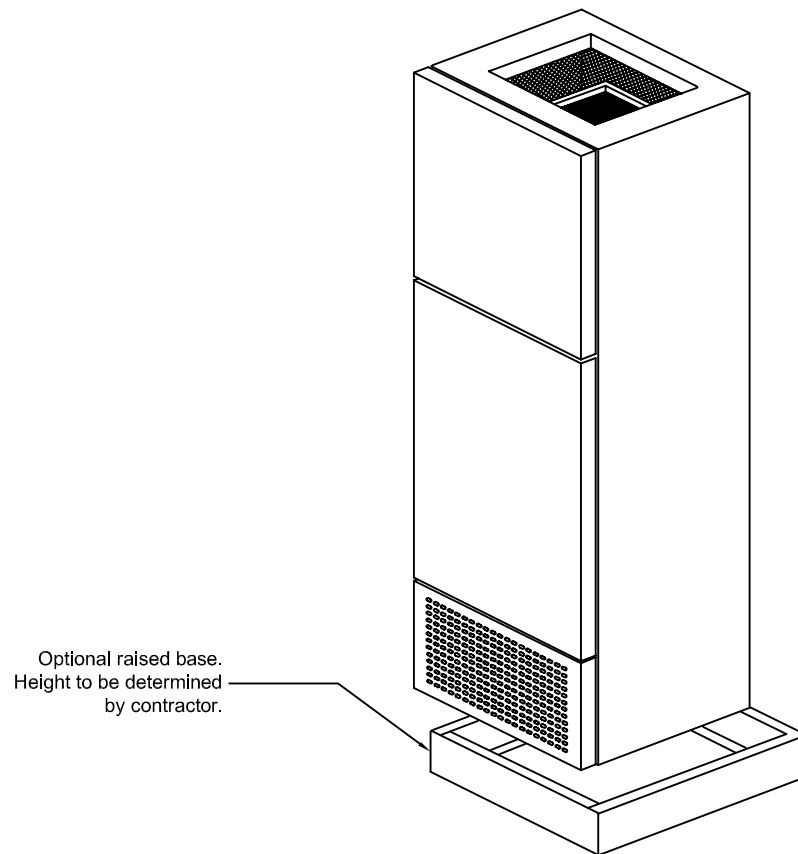
Drawing number :

Revised :



www.maxairhvac.com

Notes :



Optional raised base.
Height to be determined
by contractor.

Max Air Vertical Unit Ventilator

Drawn by :

Date :

Unit tag :

Checked by :

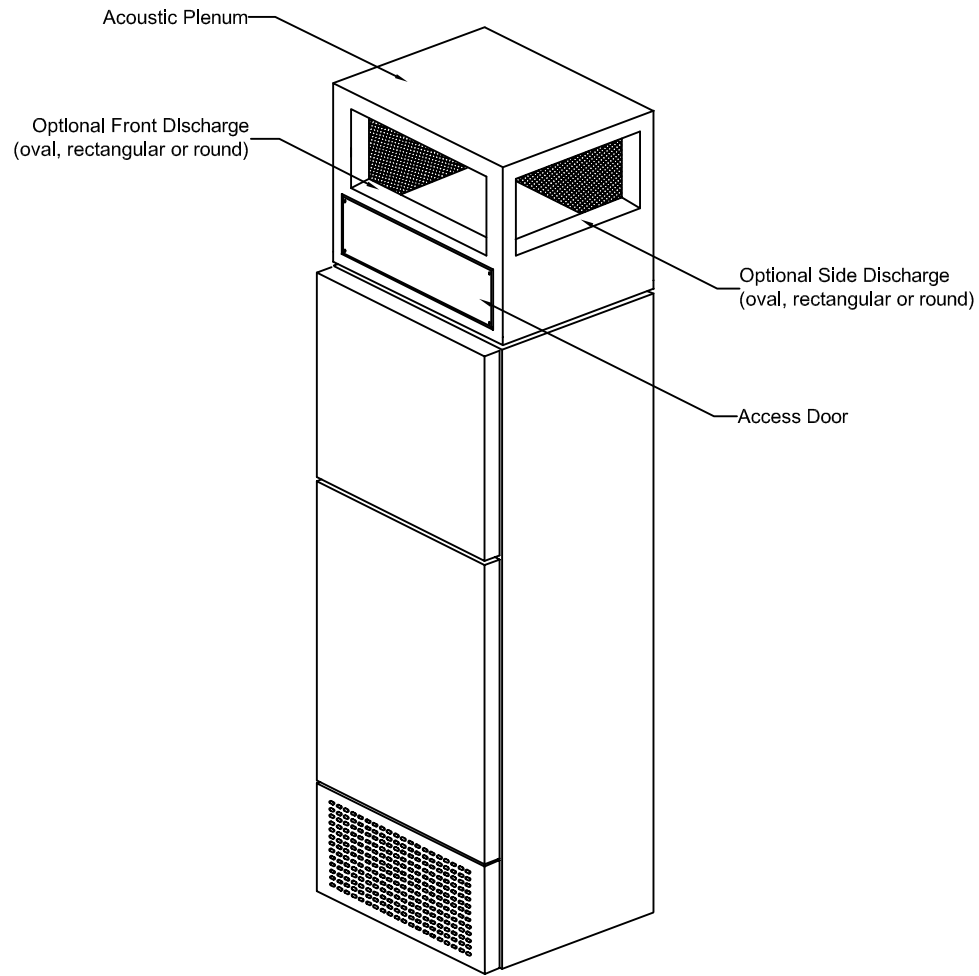
Drawing number :

Revised :



www.maxairhvac.com

Notes :



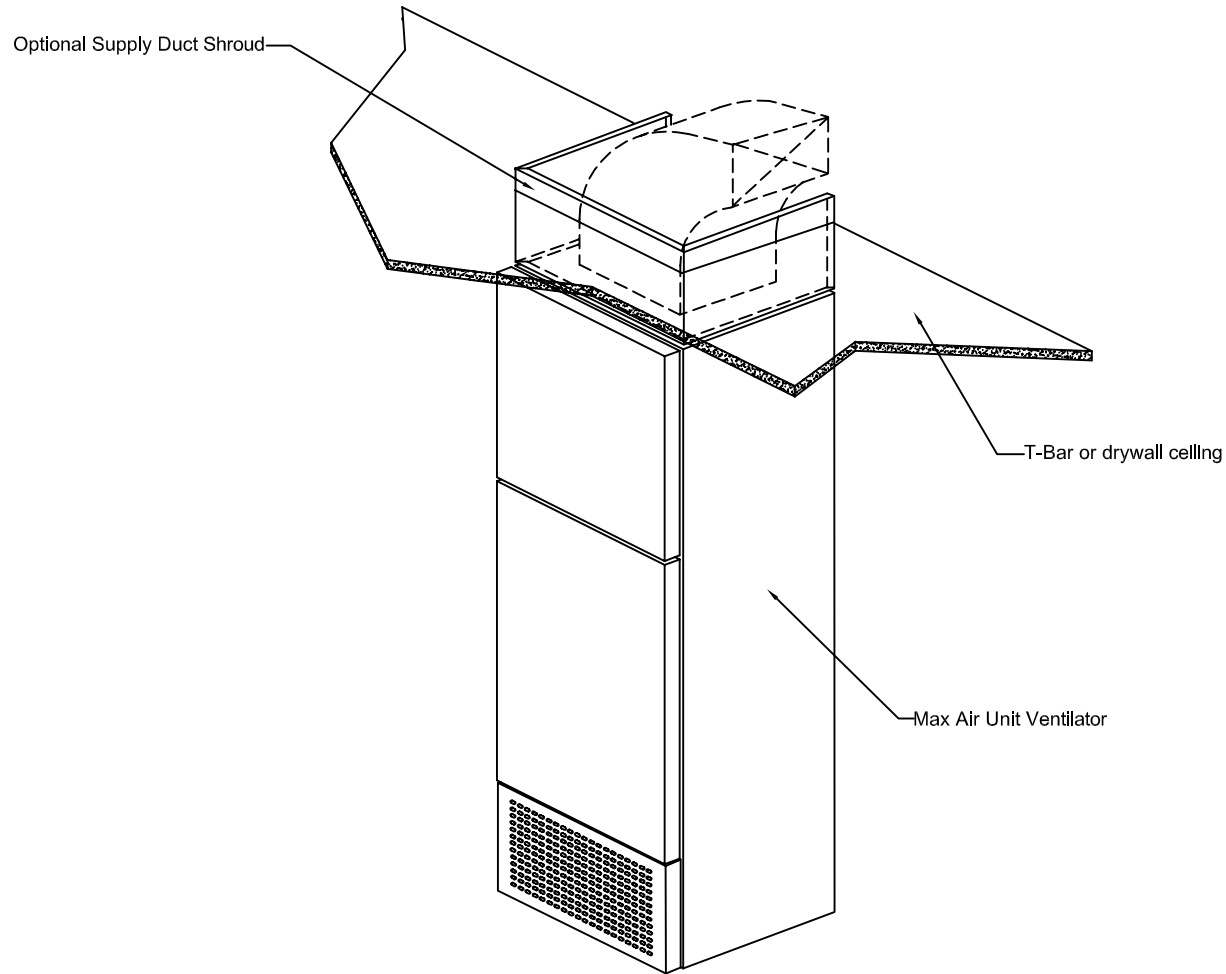
Optional Acoustic Plenum Configuration Max Air Vertical Unit Ventilator

Drawn by :	Date :	Unit tag :
Checked by :	Drawing number :	Revised :



Notes :

Supply duct shroud to finish 1.00" passed underside of ceiling.



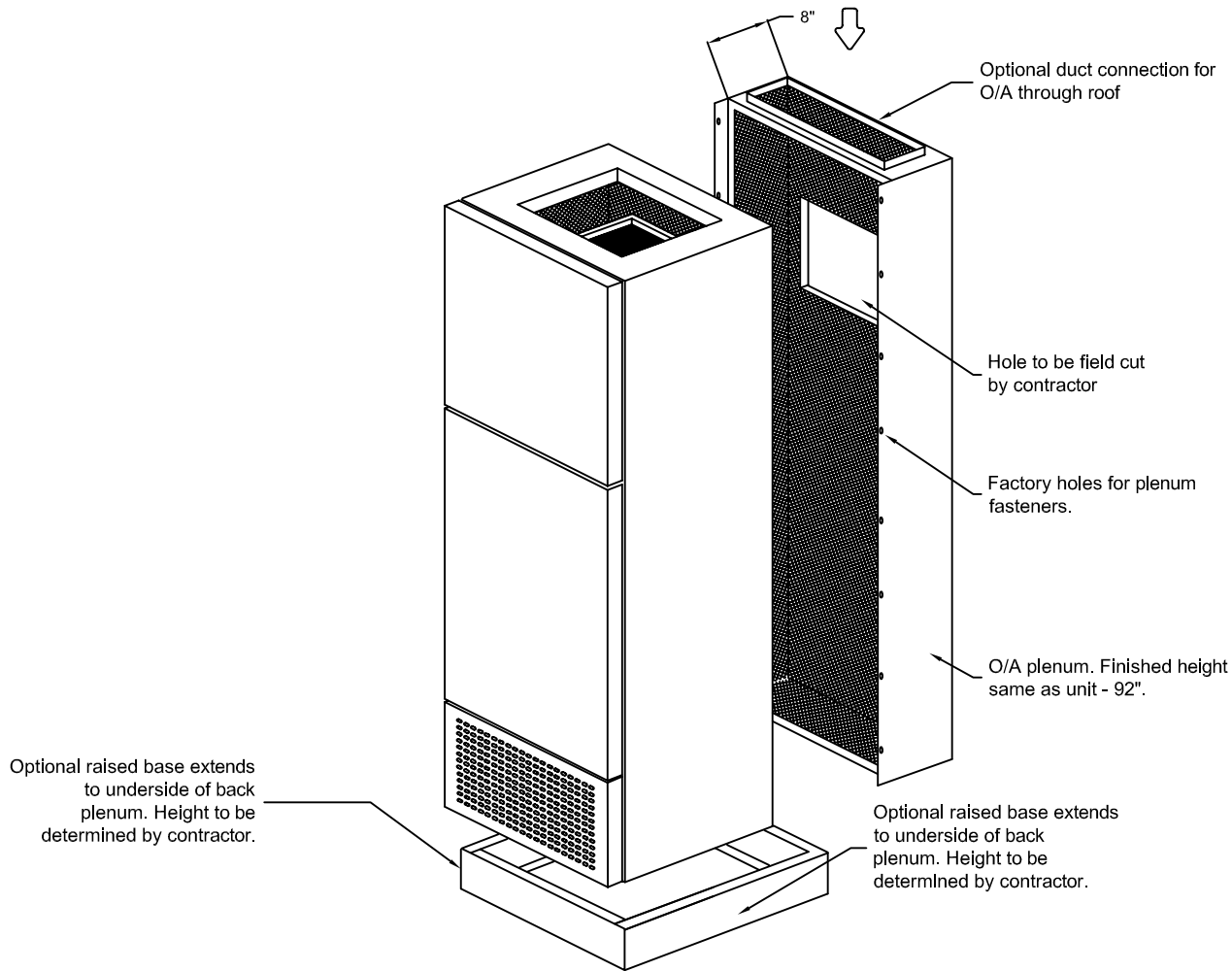
Optional Shroud Configuration Max Air Vertical Unit Ventilator

Drawn by :	Date :	Unit tag :
Checked by :	Drawing number :	Revised :



www.maxairhvac.com

Notes :



Optional Acoustic Outside Back Plenum Configuration

Max Air Vertical Unit Ventilator

Drawn by :

Date :

Unit tag :

Checked by :

Drawing number :

Revised :



www.maxairhvac.com