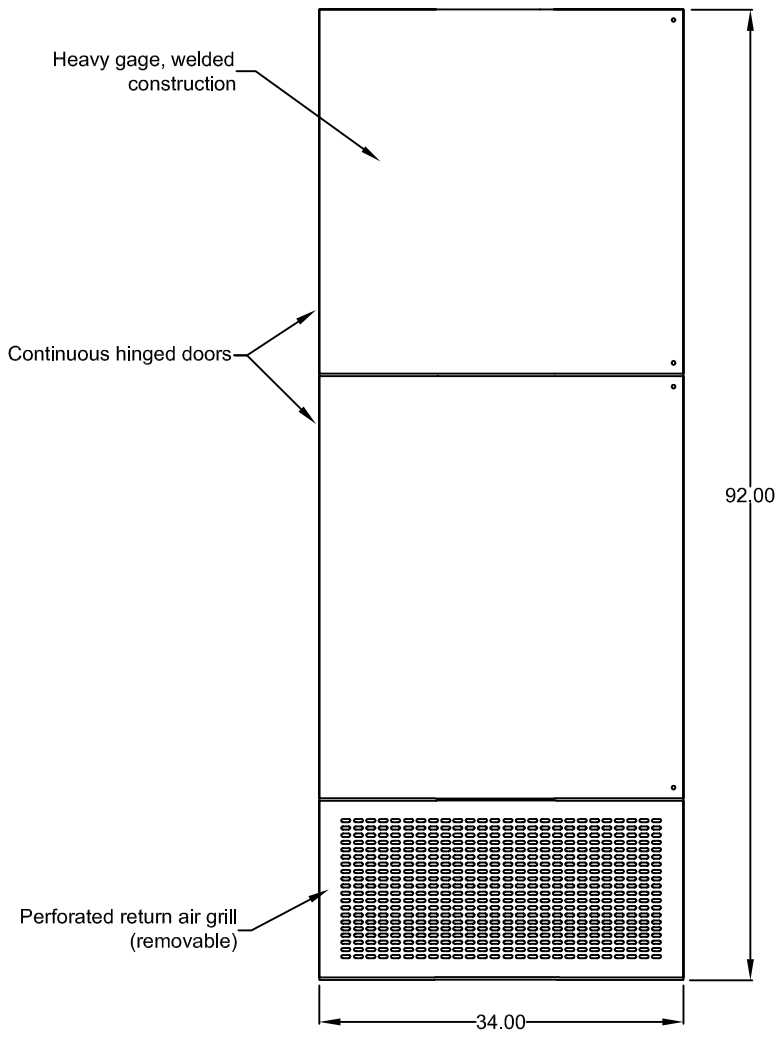
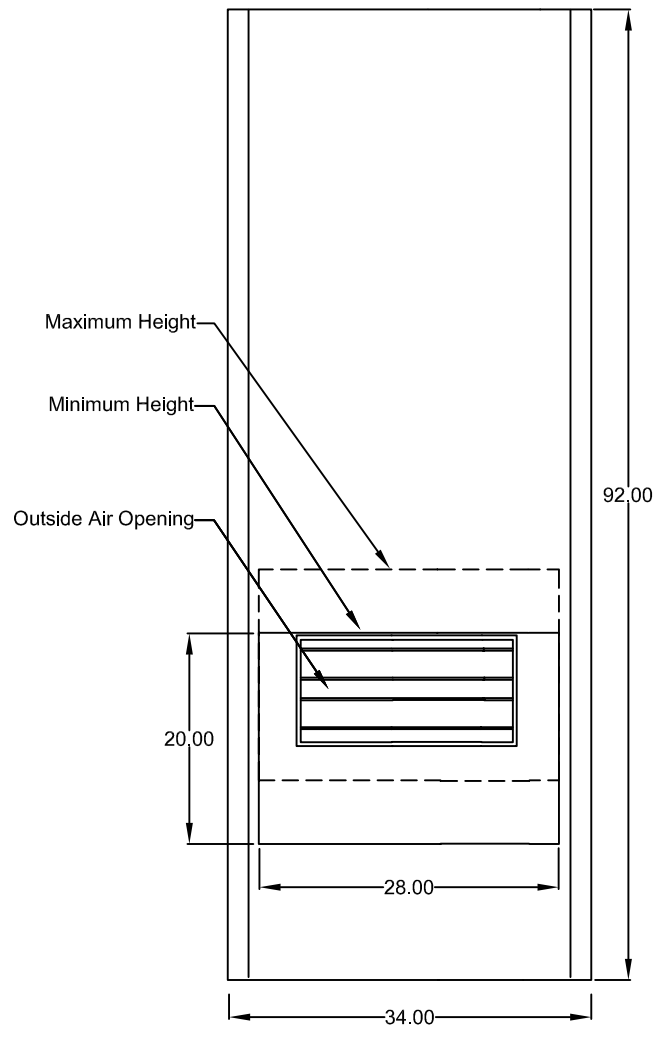


**Notes :**



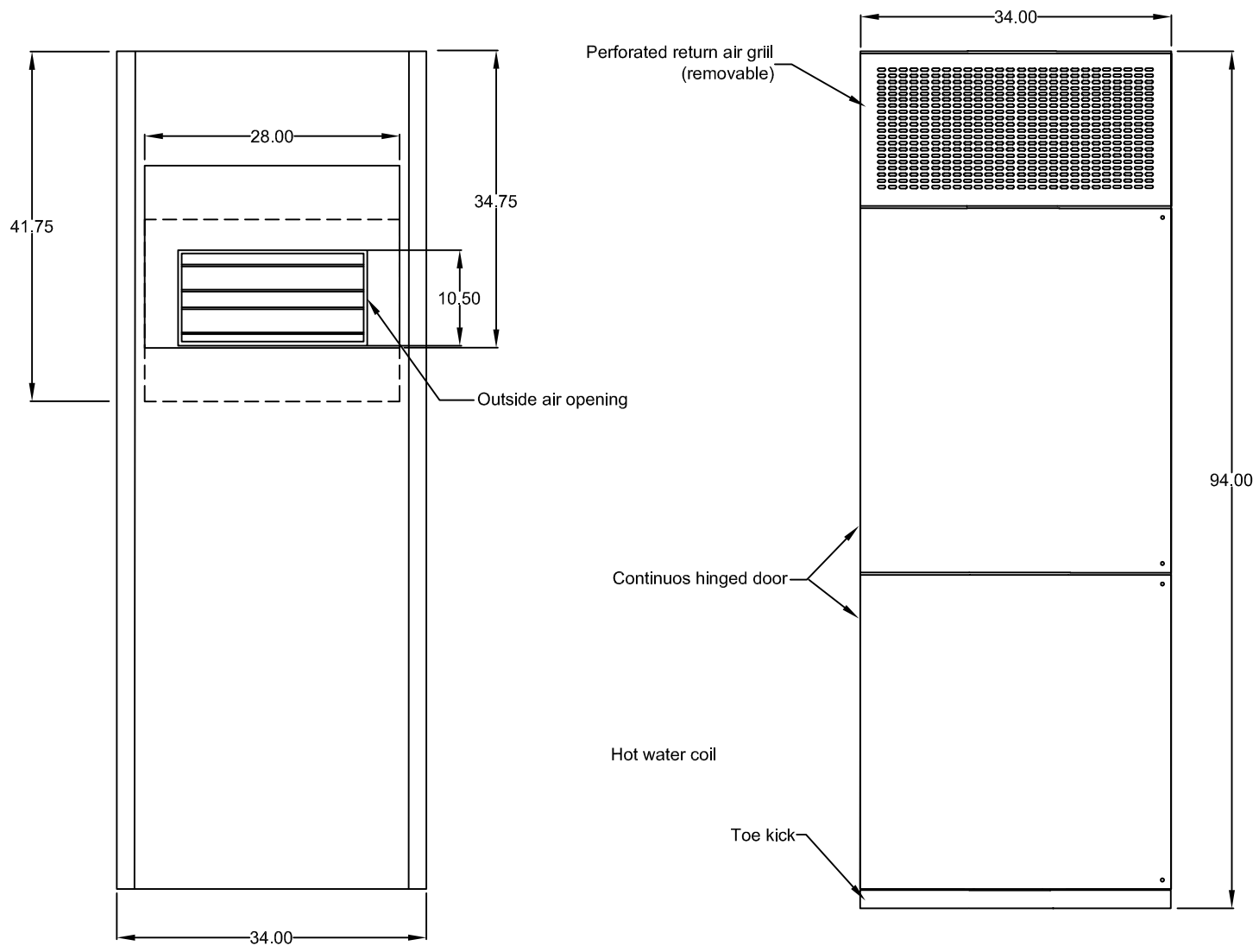
Notes area for additional specifications or comments.

**Standard Configuration      Max Air UV-1600 Vertical Unit Ventilator**

Drawn by :	Date :	Unit tag :
Checked by :	Drawing number :	Revised :



**Notes :**



Notes area for additional specifications or instructions.

**Standard Configuration Max Air DV-1600 Downflow Unit Ventilator**

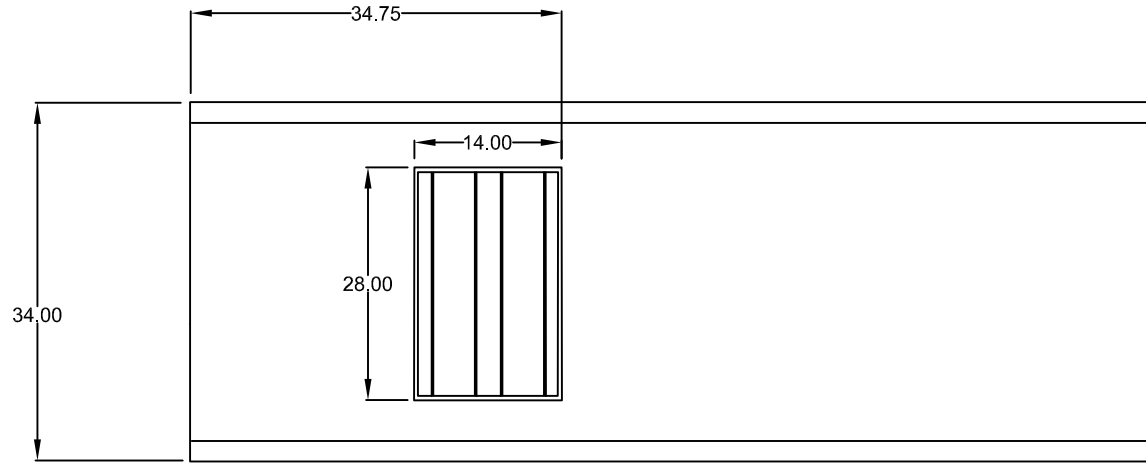
Drawn by :	Date :	Unit tag :
Checked by :	Drawing number :	Revised :



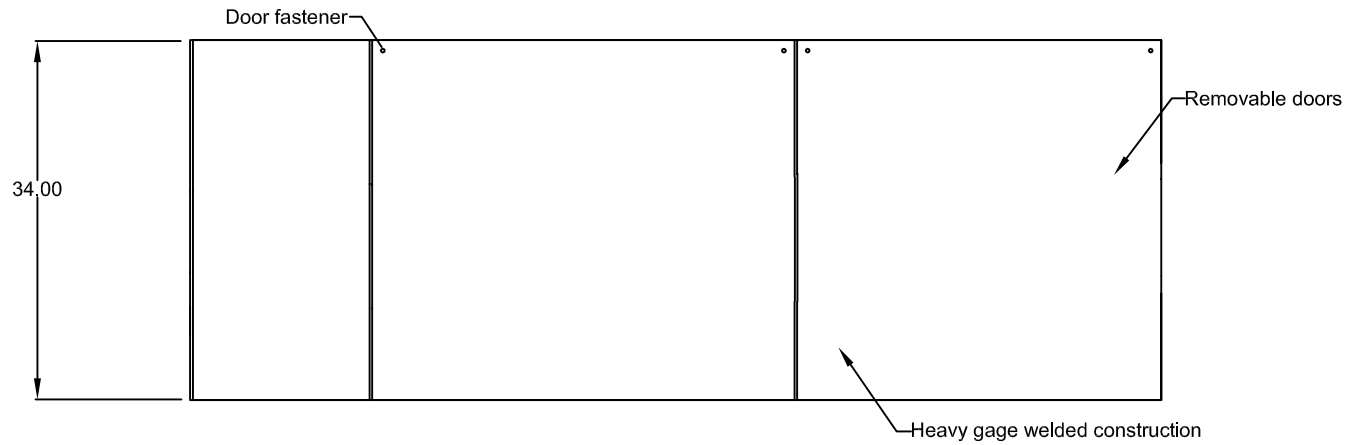
**Notes :**

- \* Optional positions for both return and outside air
- \*\* Access panel can be either punch pattern grill or ducted opening

Plan view



Elevation view



**Standard Configuration** Max Air HV-1600 Horizontal Unit Ventilator

Drawn by :

Date :

Unit tag :

Checked by :

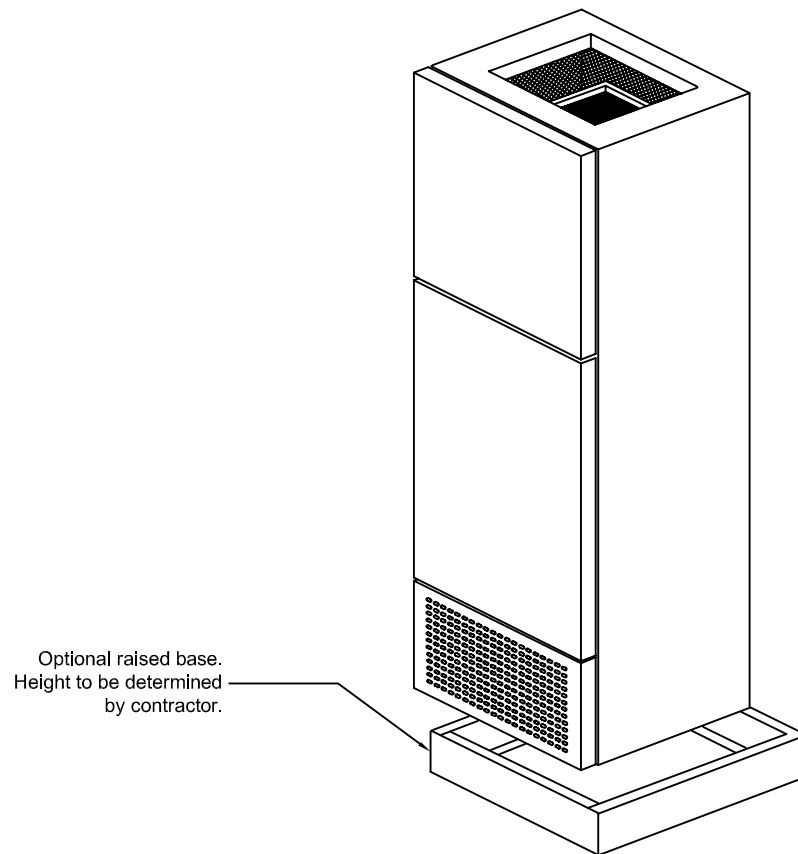
Drawing number :

Revised :



[www.maxairhvac.com](http://www.maxairhvac.com)

Notes :



Optional raised base.  
Height to be determined  
by contractor.

### Max Air Vertical Unit Ventilator

Drawn by :

Date :

Unit tag :

Checked by :

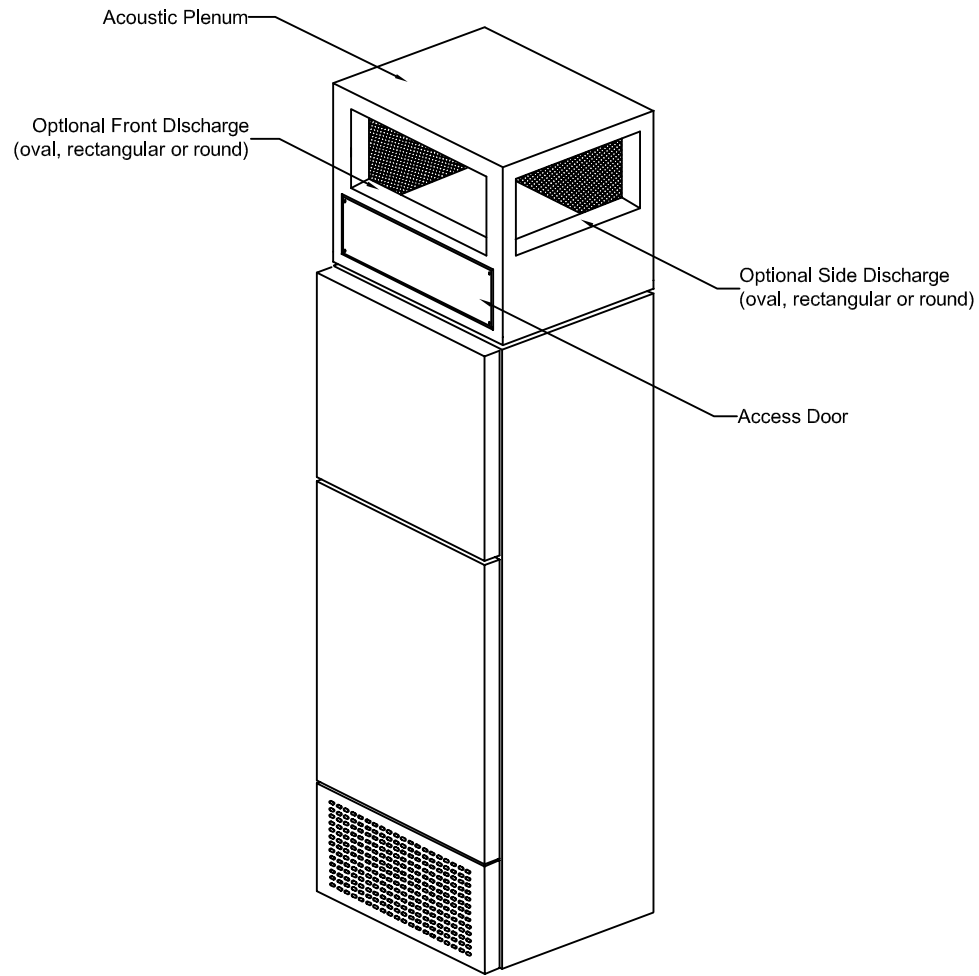
Drawing number :

Revised :



[www.maxairhvac.com](http://www.maxairhvac.com)

Notes :



Optional Acoustic Plenum Configuration Max Air Vertical Unit Ventilator

Drawn by :

Date :

Unit tag :

Checked by :

Drawing number :

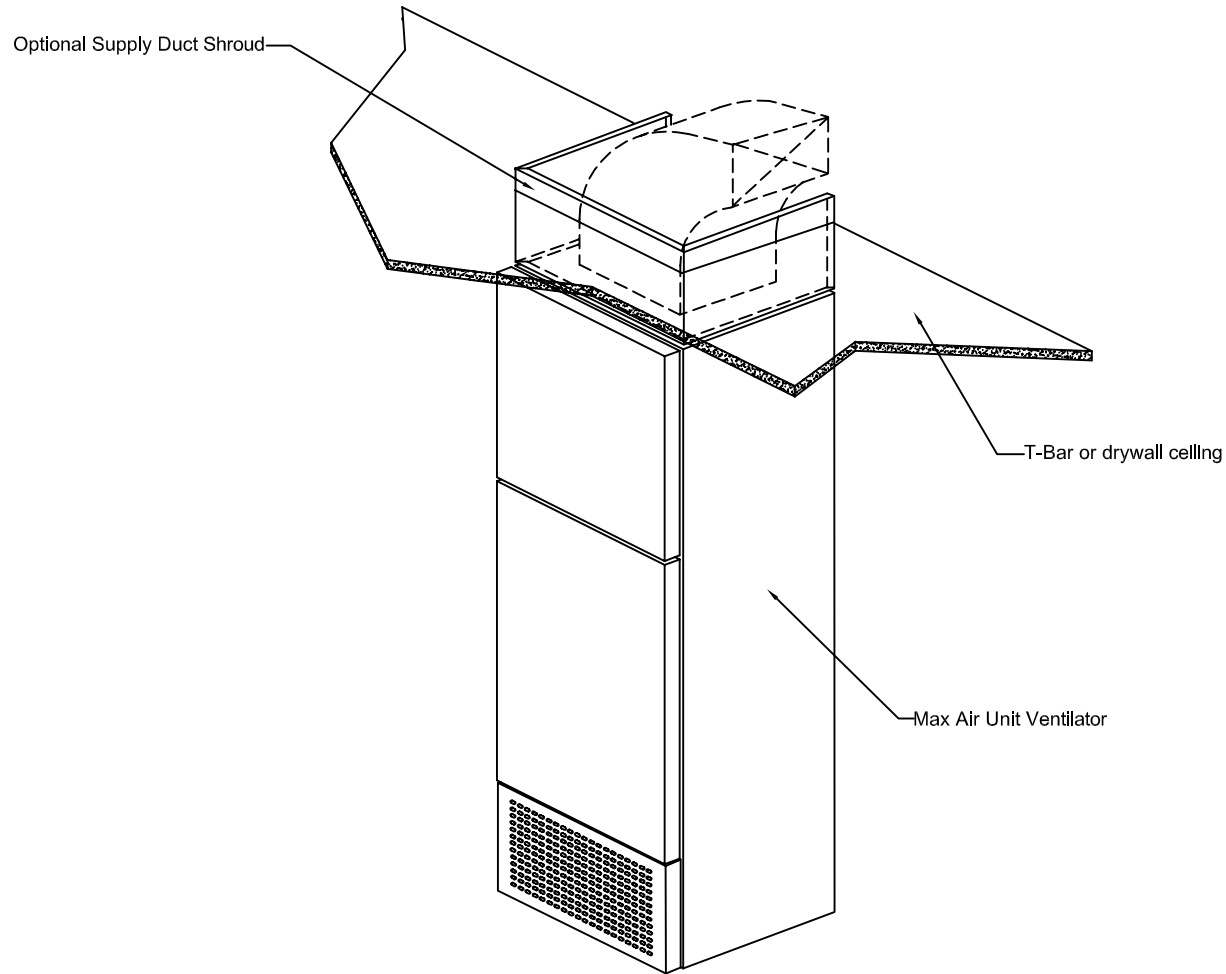
Revised :



[www.maxairhvac.com](http://www.maxairhvac.com)

Notes :

Supply duct shroud to finish 1.00" passed underside of ceiling.



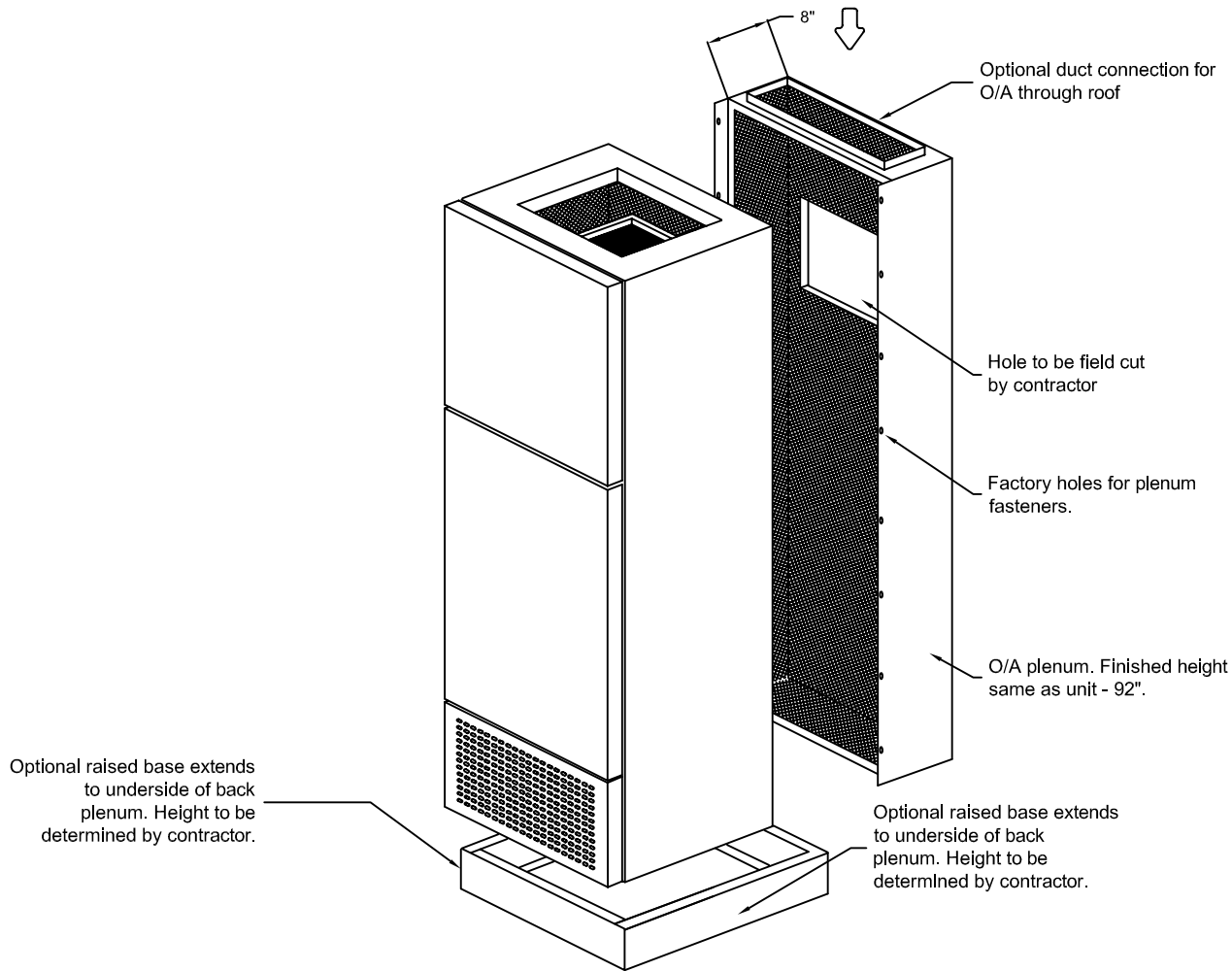
Optional Shroud Configuration Max Air Vertical Unit Ventilator

Drawn by :	Date :	Unit tag :
Checked by :	Drawing number :	Revised :



www.maxairhvac.com

Notes :



Optional Acoustic Outside Back Plenum Configuration

Max Air Vertical Unit Ventilator

Drawn by :

Date :

Unit tag :

Checked by :

Drawing number :

Revised :

