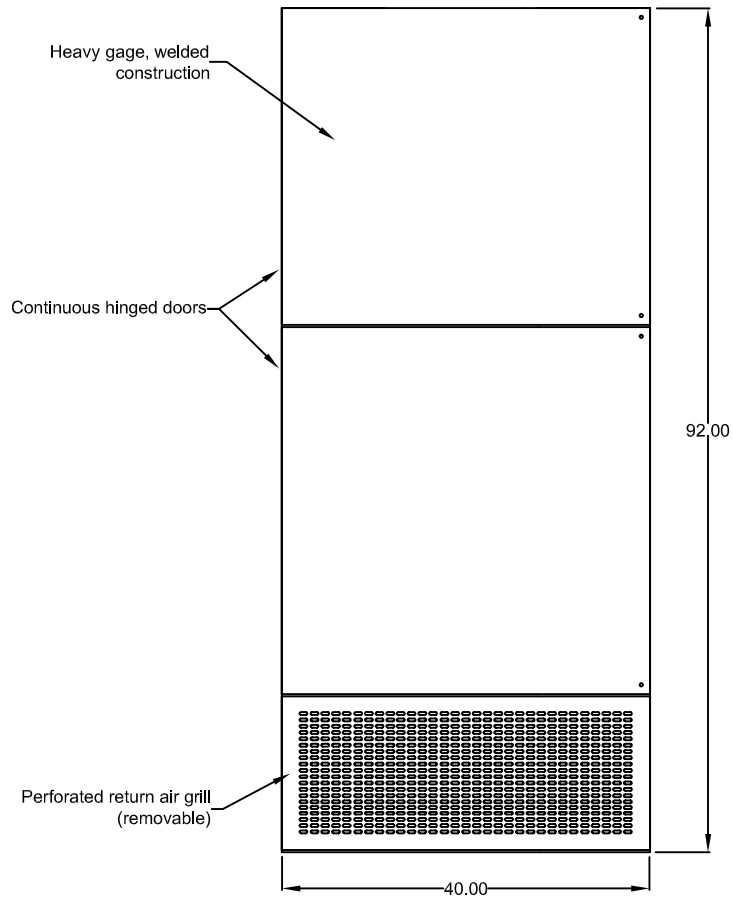
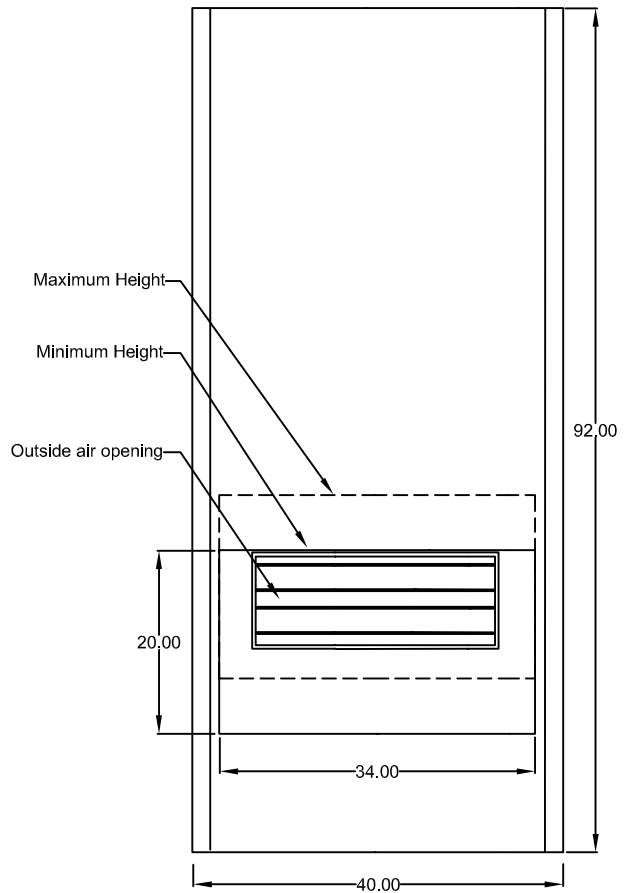


Notes :



Standard Configuration Max Air UV-2000 Vertical Unit Ventilator

Drawn by :

Date :

Unit tag :

Checked by :

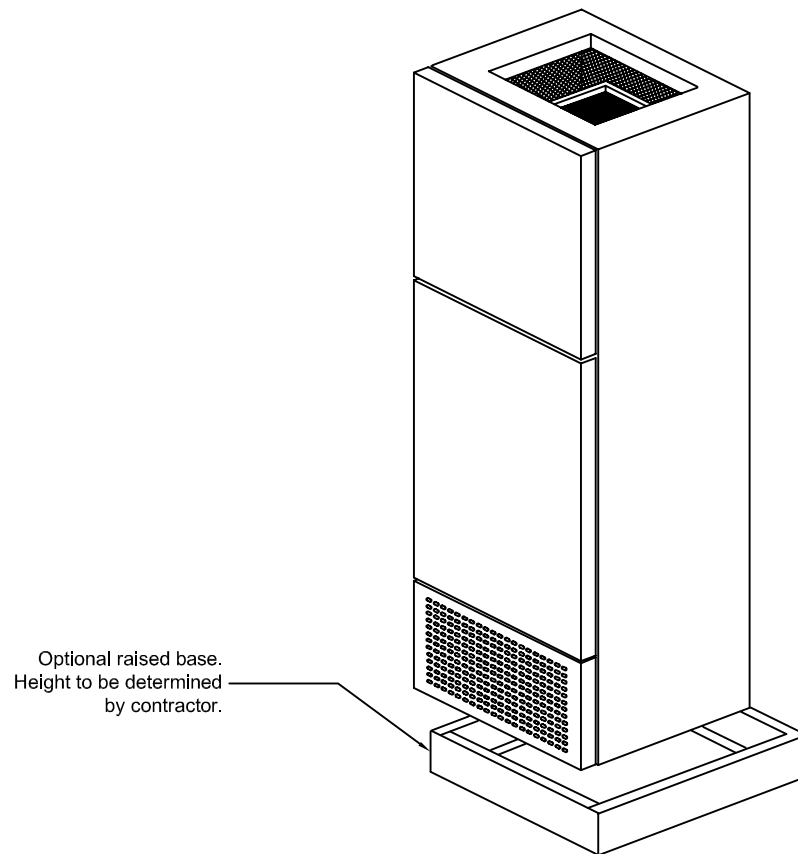
Drawing number :

Revised :



www.maxairhvac.com

Notes :



Max Air Vertical Unit Ventilator

Drawn by :

Date :

Unit tag :

Checked by :

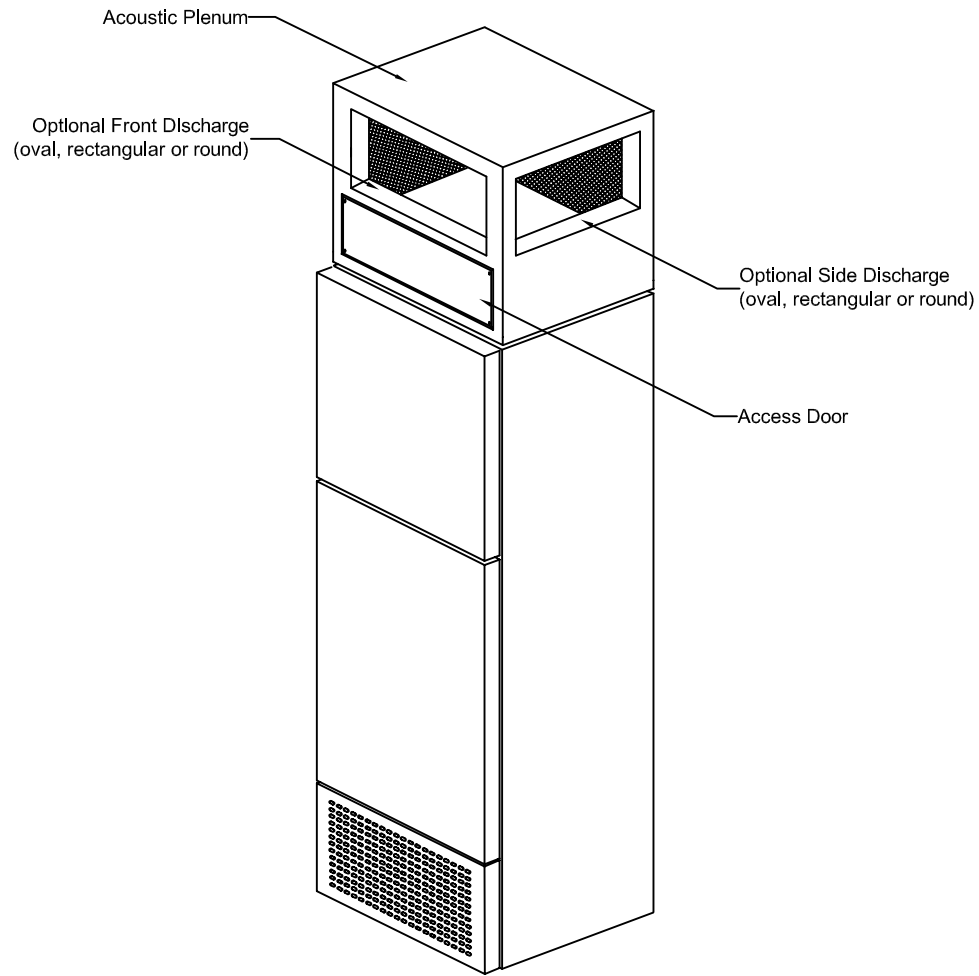
Drawing number :

Revised :



www.maxairhvac.com

Notes :



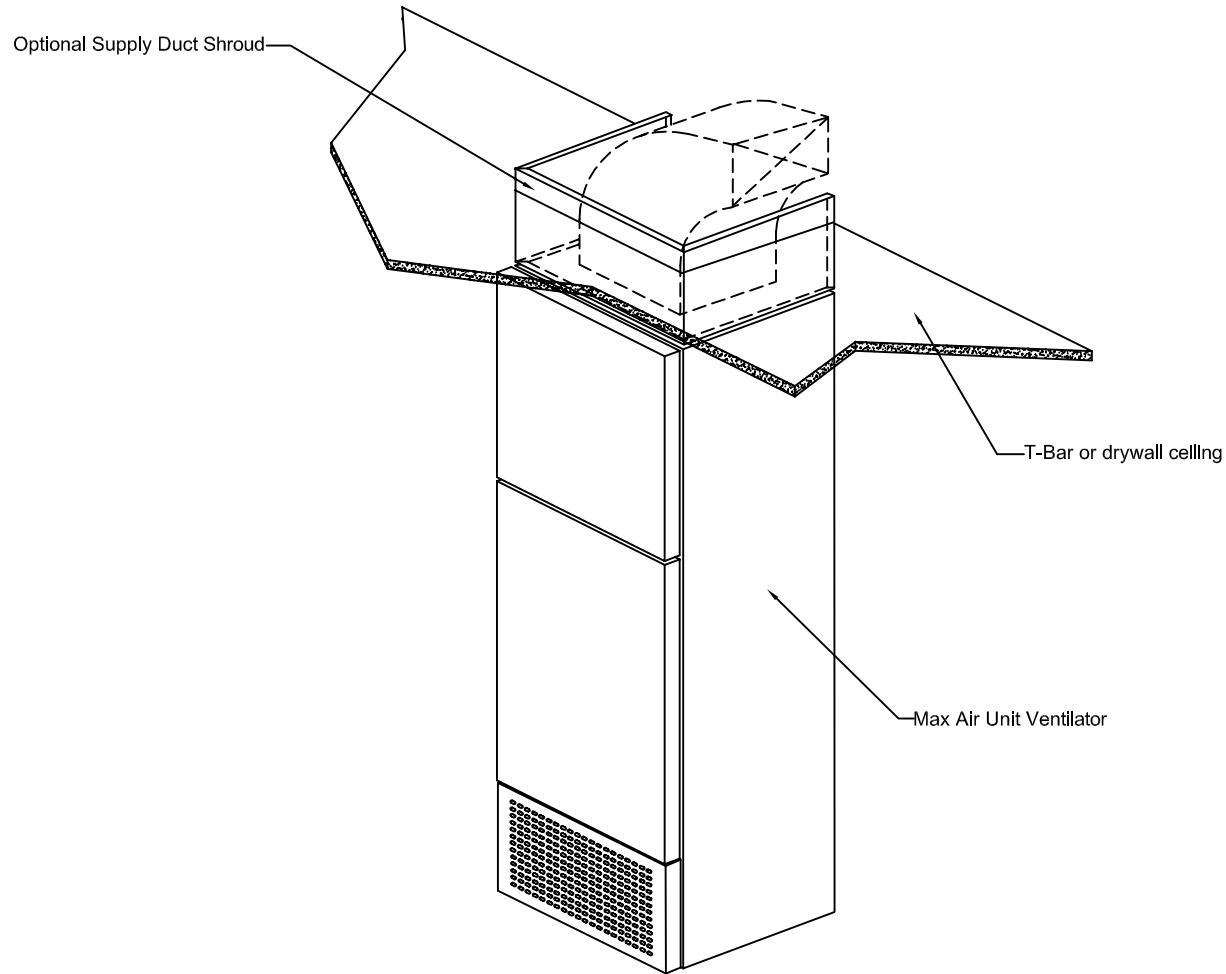
Optional Acoustic Plenum Configuration Max Air Vertical Unit Ventilator

| | | |
|--------------|------------------|------------|
| Drawn by : | Date : | Unit tag : |
| Checked by : | Drawing number : | Revised : |



Notes :

Supply duct shroud to finish 1.00" passed underside of ceiling.

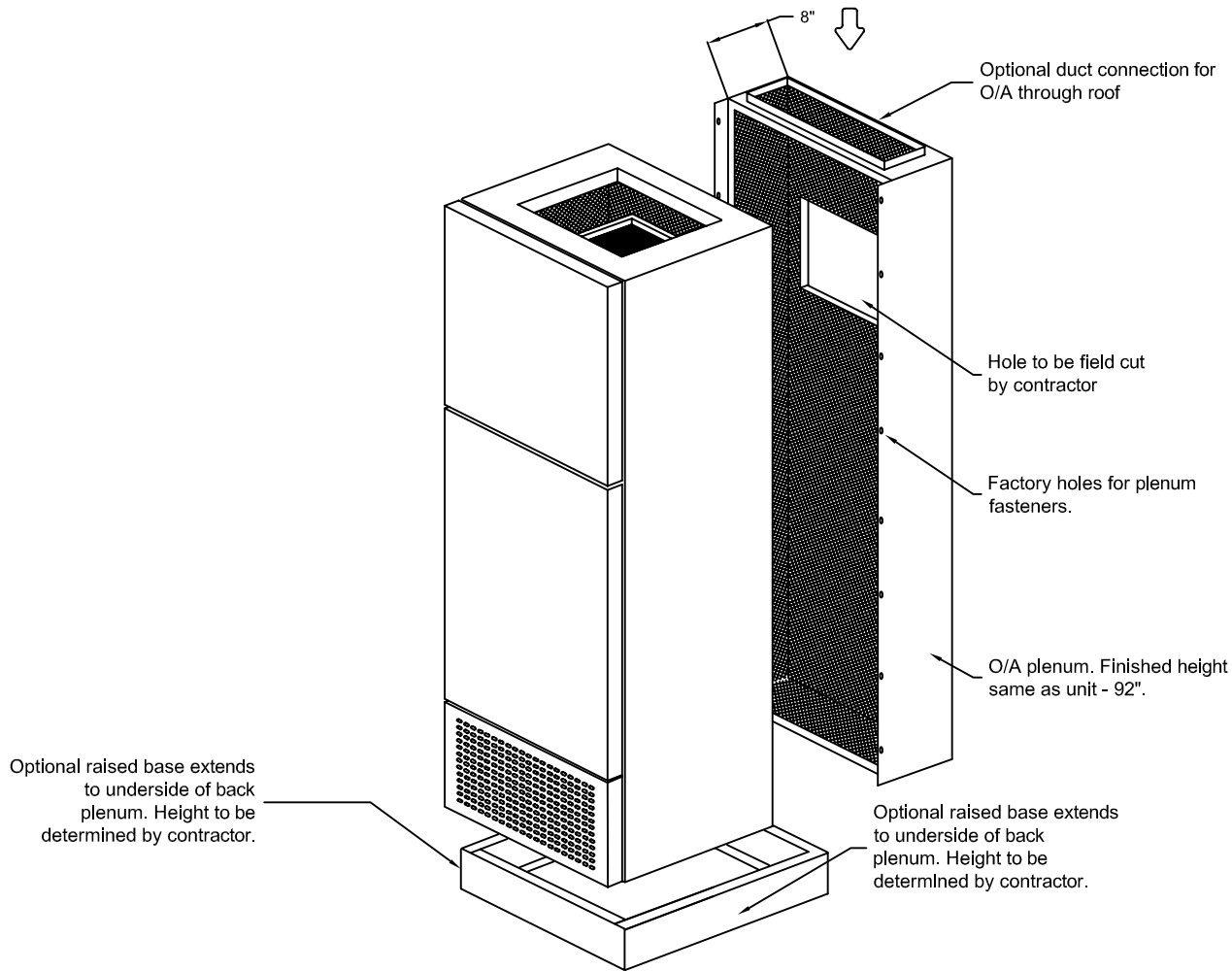


Optional Shroud Configuration Max Air Vertical Unit Ventilator

| | | |
|--------------|------------------|------------|
| Drawn by : | Date : | Unit tag : |
| Checked by : | Drawing number : | Revised : |



Notes :



Optional Acoustic Outside Back Plenum Configuration

Max Air Vertical Unit Ventilator

Drawn by :

Date :

Unit tag :

Checked by :

Drawing number :

Revised :



www.maxairvac.com